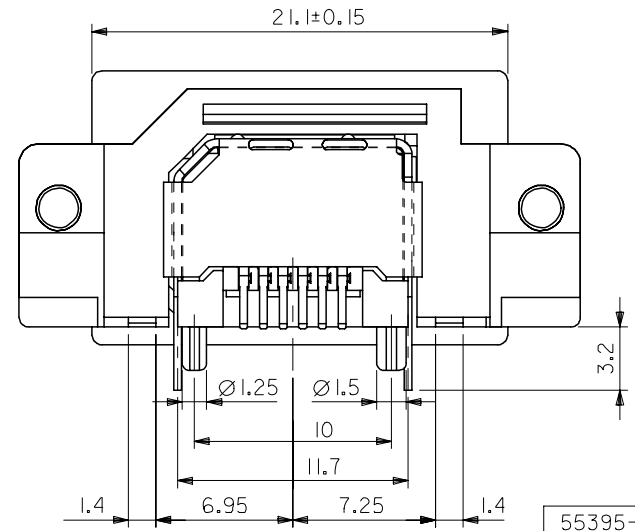
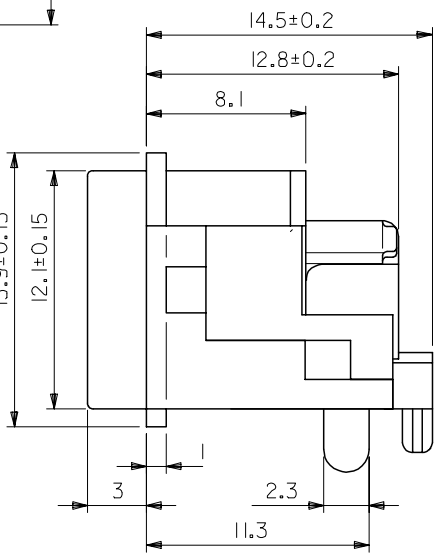


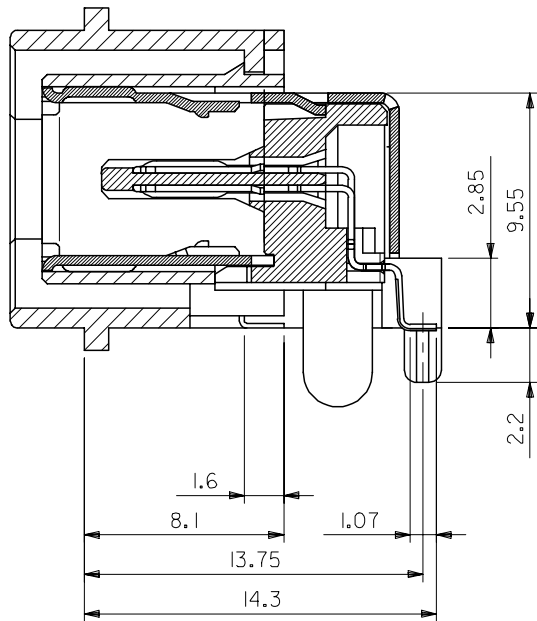
NOTE
 1. MATERIAL
 TERMINAL : BRASS (CONTACT : GOLD UNDER NICKEL)
 (SOLDER TAIL : TIN UNDER NICKEL)
 WAFER : 46NYLON
 SHELL : PHOSPHOR BRONZE (TIN UNDER NICKEL)
 MOLD CASE : 46NYLON
 BRACKET : ZINC
 NUT : STEEL
 2. THIS PRODUCT IS LEAD FREE OF 55395-0611.



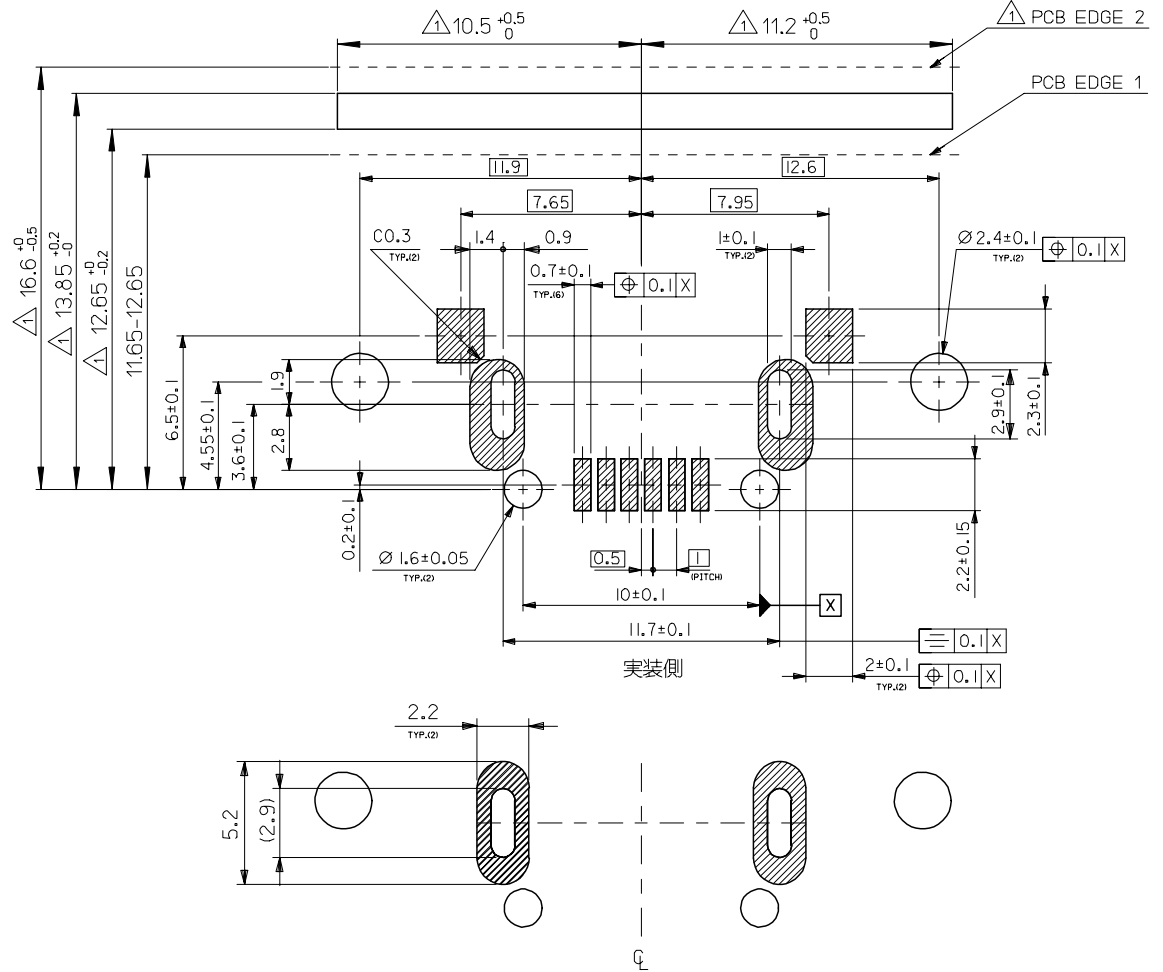
REVISED EC NO: J2006-0295 DRW: NESUZUKI 2005/07/26 CHK: KATOJO 2005/07/28 APPR: NUKITA 2005/08/02 REV A	GENERAL TOLERANCES (UNLESS SPECIFIED)		DIMENSION STYLE MM ONLY		MODEL NO. 55395-**19 MATERIAL NO. 55395-0619	
	10 UNDER	±0.2	DRAWN BY	DATE	SCALE	DESIGN UNITS
	10 ^{OVER} 30 UNDER	±0.25	HKAWABATA	04/05/24	---	METRIC
	30 ^{OVER}	±0.3	CHECKED BY	DATE	THIRD ANGLE PROJECTION	
	ANGULAR ±3 °	APPROVED BY	DATE	TITLE IEEE 1394 SOCKET WITH LOCK SOCKET ASSEMBLY -LEAD FREE-		
	DRAFT WHERE APPLICABLE MUST REMAIN WITHIN DIMENSIONS	MSASAO	04/05/24	MOLEX INCORPORATED		
		MATERIAL NO.	SEE CHART	DOCUMENT NO.	SD-55395-004	SHEET NO. 1 OF 2
		SIZE	A3	THIS DRAWING CONTAINS INFORMATION THAT IS PROPRIETARY TO MOLEX INCORPORATED AND SHOULD NOT BE USED WITHOUT WRITTEN PERMISSION		

注記

△ PCB EDGE2 を使用する場合、
フランジ逃げ穴を開けること。



断面図



基板参考寸法

MODEL NO. 55395-**-19

REVISED EC NO: J2006-0295 DRW: ESUZUKI 2005/07/26 CHK: KATOJO 2005/07/28 APPR: NUKITA 2005/08/02 REV A	GENERAL TOLERANCES (UNLESS SPECIFIED)		DIMENSION STYLE MM ONLY		SCALE ---	DESIGN UNITS METRIC	THIRD ANGLE PROJECTION	
	10 UNDER	±0.2	DRAWN BY	DATE	TITLE IEEE 1394 SOCKET WITH LOCK SOCKET ASSEMBLY -LEAD FREE-			
	10 OVER 30 UNDER	±0.25	HKAWABATA	04/05/24				
	30 OVER	±0.3	CHECKED BY	DATE	MOLEX INCORPORATED			
	ANGULAR	±3 °	KTOJO	04/05/24				
DRAFT WHERE APPLICABLE MUST REMAIN WITHIN DIMENSIONS		APPROVED BY	DATE	MATERIAL NO.	DOCUMENT NO.	SHEET NO.		
		MSASAO	04/05/24	SEE CHART	SD-55395-004	2 OF 2		

THIS DRAWING CONTAINS INFORMATION THAT IS PROPRIETARY TO MOLEX INCORPORATED AND SHOULD NOT BE USED WITHOUT WRITTEN PERMISSION